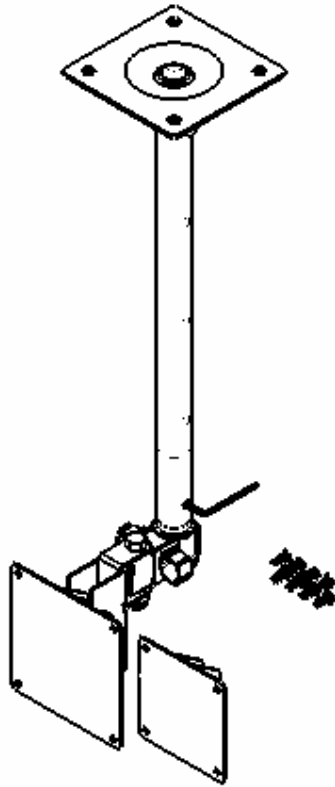


VMP

VIDEO MOUNT PRODUCTS

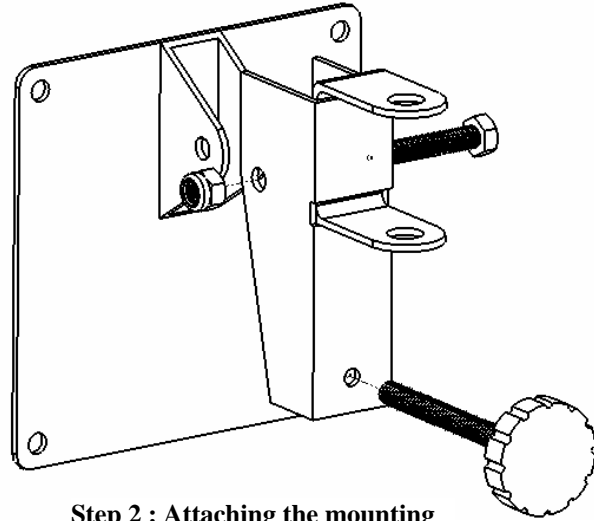
325 Log Canoe Circle • Stevensville MD 21666 • www.videomount.com
Phone: 410.643.6390 • Fax: 410.643.6615

LCD-1C

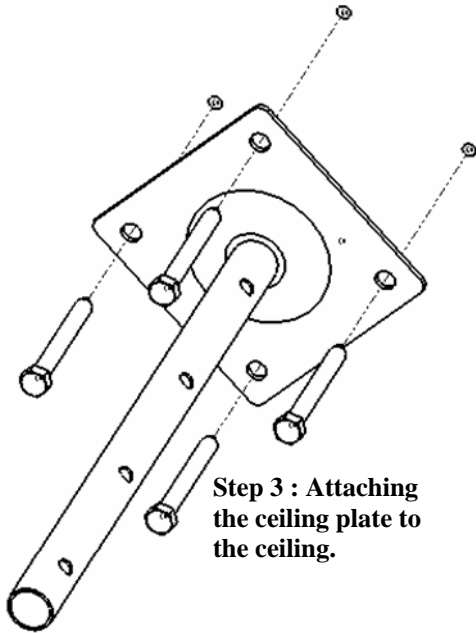


1. Before starting lay out all parts to your mount and match them to the parts list provided. Verify that you have all your parts before attempting to assemble the mount.

2. Next determine which VESA standard plate you will be using (#5 or #6) (75mm or 100mm respectively) and attach the selected mounting plate (#5 or #6) to the monitor to the swivel bracket (#4) using the M6 screw that's about 1.4 inches long (#9) and the nylon nut (#7). Insert adjustable screw (#12) for use when tilting the monitor. (Set this assembly safely to the side for now.)



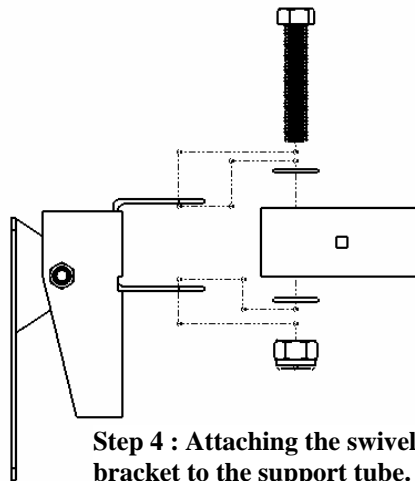
Step 2 : Attaching the mounting plate to the swivel bracket



Step 3 : Attaching the ceiling plate to the ceiling.

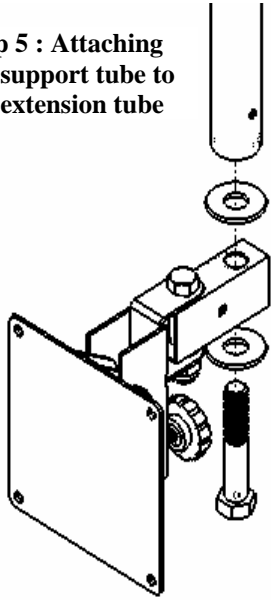
3. Mark the ceiling or desired mounting surface in preparation of installation of ceiling plate (#1). Pre-drill if necessary and mount the ceiling plate (#1) to desired surface. **Warning: Please verify that your mounting surface will support the combined weight of your mount, mounting hardware, and monitor. Also verify that the mounting surface is safe to drill through. If in doubt about either please contact a professional installer.**

4. Next attach the swivel bracket (#4) to the support tube (#3) using the 3/8" screw that is 2" long (#16), washers (#15) and nylon nut (#8).

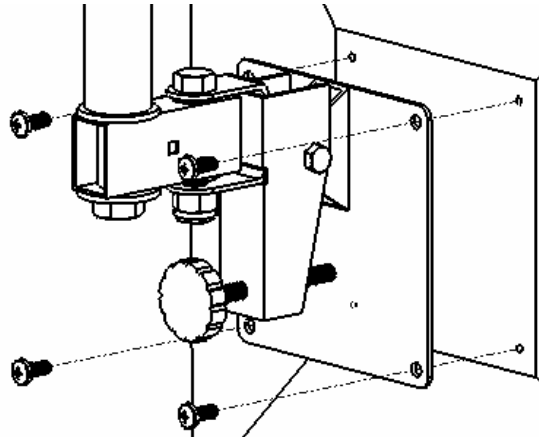


Step 4 : Attaching the swivel bracket to the support tube.

Step 5 : Attaching the support tube to the extension tube

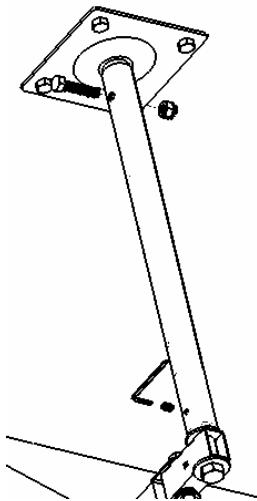


5. Now attach the support tube (#3) to the extension tube (#2) using the M12 screw that's about 2.6" long (#10) and washers (#11).



Step 6 : Attaching the monitor to the mounting plate

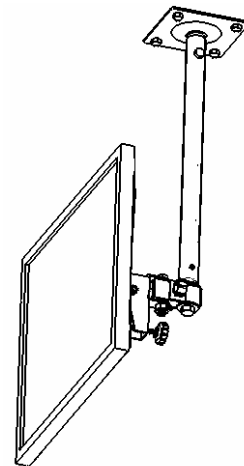
6. Attach the mounting plate (#5 or #6) to your LCD monitor using the M4 or M5 screws (#21 or #22) as appropriate.



Step 7 : Connecting the extension tube to the ceiling plate

7. Attach the extension tube (#2) to the ceiling plate (#1) using the 5/16" screw 1.5" in length (#18) and nylon nut (#19). Secure the M12 screw (#10) from slipping in the extension tube (#2) by tightening the 1/4" brake screw (#17) into the threaded hole in the side of the extension tube (#2) using the Allen key (#20).

8. Insert end plugs (#14) into the support tube (#3). Insert the cable clips (#13) by pushing the arrow ends into the square holes in the force arms. Please verify that all nuts and screws are securely fastened.



Enjoy your mount!

WARNING: *The installer of these products must verify that the mounting surface, ceiling or wall, will safely support the combined weight of all attached equipment and hardware. Video Mount Products will not be held liable for the improper use or installation of its products.*