

# AK-2

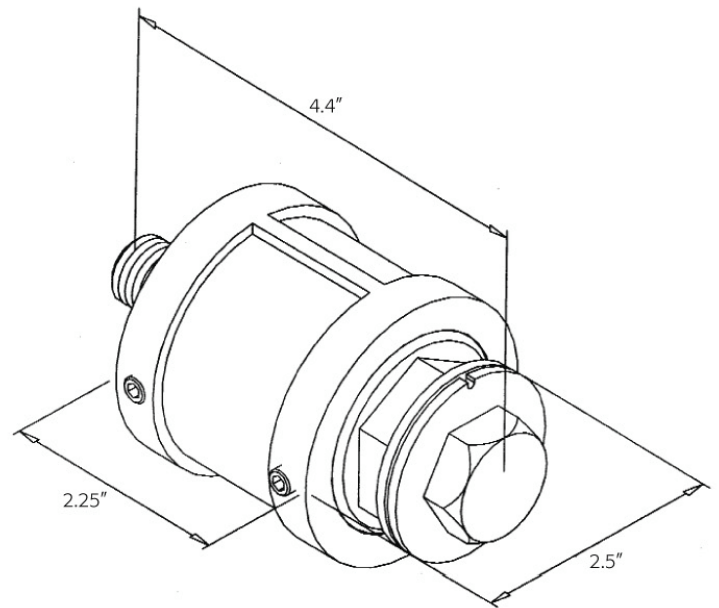
Adaptor Kit

**Product Features:**

adapts mounts to be used with standard 1"  
NPT plumbing pipe

**Product Specifications:**  
*(for Architects & Engineers)*

The adapter kit for models VMP046/048, and LCD-1C mounts shall be a Video Mount Products (VMP) model AK-2. This adapter shall allow the mount to accept standard 1" NPT plumbing pipe. The adapter will be used when the desired pipe length from the ceiling to the mount exceeds 60". Use in conjunction with the CP-2 (Ceiling Plate).



**Video Mount Products**

345 Log Canoe Circle  
Stevensville, MD 21666  
Toll Free: 877.281.2169  
Telephone: 410.643.6390  
Facsimile: 410.643.6615  
[www.videomount.com](http://www.videomount.com)

