

# SANUS SYSTEMS

THE UNION OF FORM AND FUNCTION

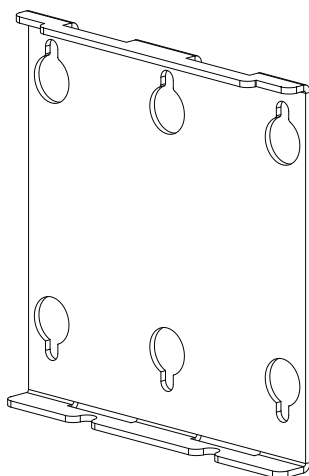
## Assembly Instructions for Model: VMFL1

Thank you for choosing a Sanus Systems Vision Mount wall mount. The VMFL1 is designed to mount up to 30" [76.2 cm] LCD flat panel televisions weighing up to 40 lbs [18 Kg] to a vertical wall. It will allow the television to be just 0.5" [12.7 mm] from the wall.

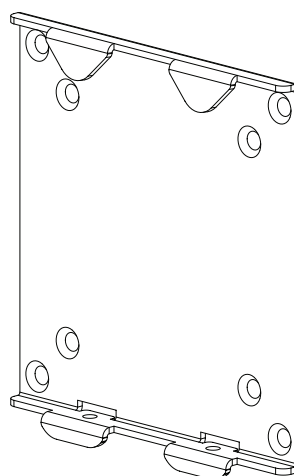
**▲ WARNING:** If you do not understand these directions, or have any doubts about the safety of the installation, please call a qualified contractor or contact Sanus at 800.359.5520 or [www.sanus.com](http://www.sanus.com). Check carefully to make sure that there are no missing or defective parts. Our customer service representatives can quickly assist you with installation questions and missing or damaged parts. Replacement parts for products purchased through authorized dealers will be shipped directly to you. Never use defective parts. Improper installation may cause damage or serious injury. Do not use this product for any purpose that is not explicitly specified by Sanus Systems. Sanus Systems can not be liable for damage or injury caused by incorrect mounting, incorrect assembly, or incorrect use. Please call Sanus Systems before returning products to the point of purchase.

**Required Tools:** 3/8 or 1/8 drill bit, phillips screwdriver

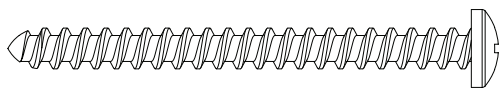
**Supplied Parts and Hardware:** (All threaded fasteners are shown full size.)



Wall Plate - A  
Qty. 1



Monitor Bracket - B  
Qty. 1



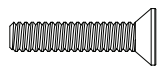
Lag Screw - C  
Qty. 2



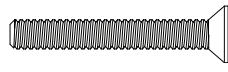
Dry Wall Anchor - D  
Qty. 4



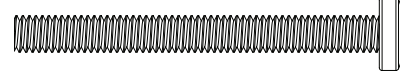
M4 x 10 mm Bolt - E  
Qty. 4



M4 x 20 mm Bolt - F  
Qty. 4



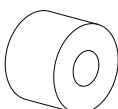
M4 x 30 mm Bolt - G  
Qty. 4



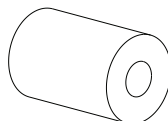
M5 Locking Bolt - H  
Qty. 2



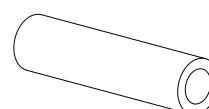
M4 Washer - I  
Qty. 4



Small M4 Spacer - J  
Qty. 4



Large M4 Spacer - K  
Qty. 4



M5 Spacer - L  
Qty. 2

## Step 1: Hang Wall Plate

**NOTE:** Make sure the Wall Plate (A) is oriented so the flat surface in the center of the plate is against the wall as shown in Diagram 1A.

### Wood Stud Mounting:

Using a high quality stud sensor to locate a stud: then, using the Wall Plate (A) as a template mark two holes in the appropriate location, making sure the hole is in the center area of the stud.

Pre-drill a 1/8" hole 2.5" [63.5 mm] deep where the upper Lag Screw (C) will be installed; then, secure the Wall Plate (A) to the stud using one of the Lag Bolts as shown in Diagram 1A.

Verify that the Wall Plate is level; then pre-drill a 1/8" hole 2.5" [63.5 mm] deep for the lower Lag Screw (C) and secure the bottom of the Wall Plate (A) with the second Lag Screw as shown in diagram 1A.

### Drywall Installation:

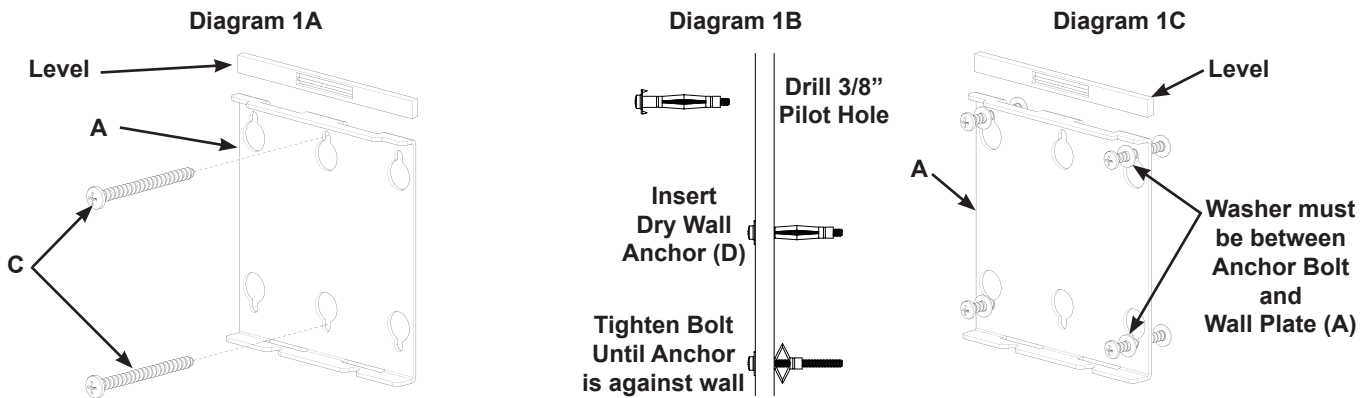
Position the Wall Plate (A) in the desired location on the wall; then, use the Wall Plate as a template and mark the location of the four outer mounting holes.

Using a 3/8" drill bit, proceed to drill a 3/8" pilot hole in each marked location.

Install a Dry Wall Anchor (D) in one of the pilot holes and tighten the Anchor Bolt until it is fully seated as shown in Diagram 1B.

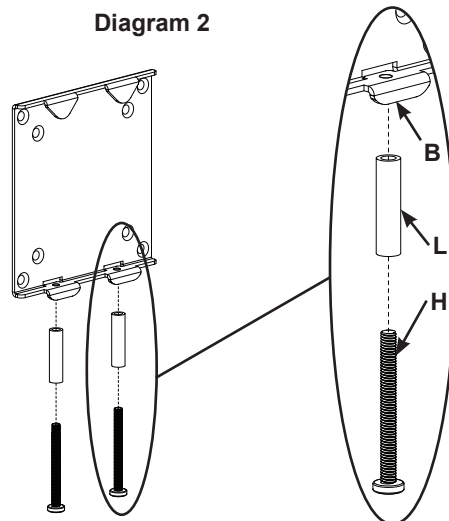
**NOTE:** Make sure the Washer is between the head of the Anchor Bolt and the Wall Plate (A) as shown in Diagram 1C.

Loosen the Anchor Bolt approximately 1/4" and repeat the above process for the three additional pilot holes. Once Wall Plate (A) is mounted onto the wall, verify that it is level; then, proceed to tighten all four Anchor Bolts.



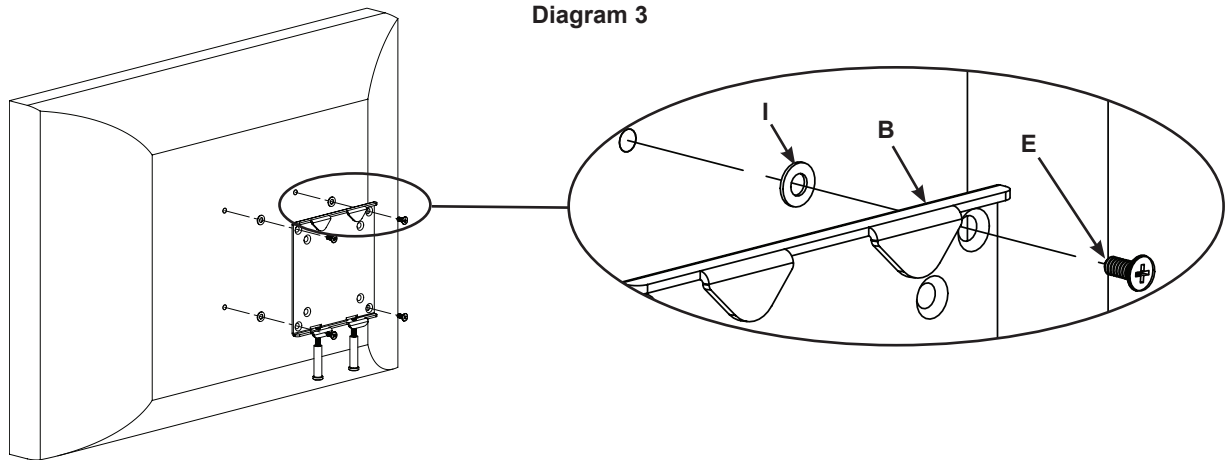
## Step 2: Install M5 Locking Bolts

Insert both M5 Locking Bolts (H) through a M5 Spacer (L); then, thread the M5 Locking Bolts into the Monitor Bracket (B) just enough to engage the threads as shown in Diagram 2.



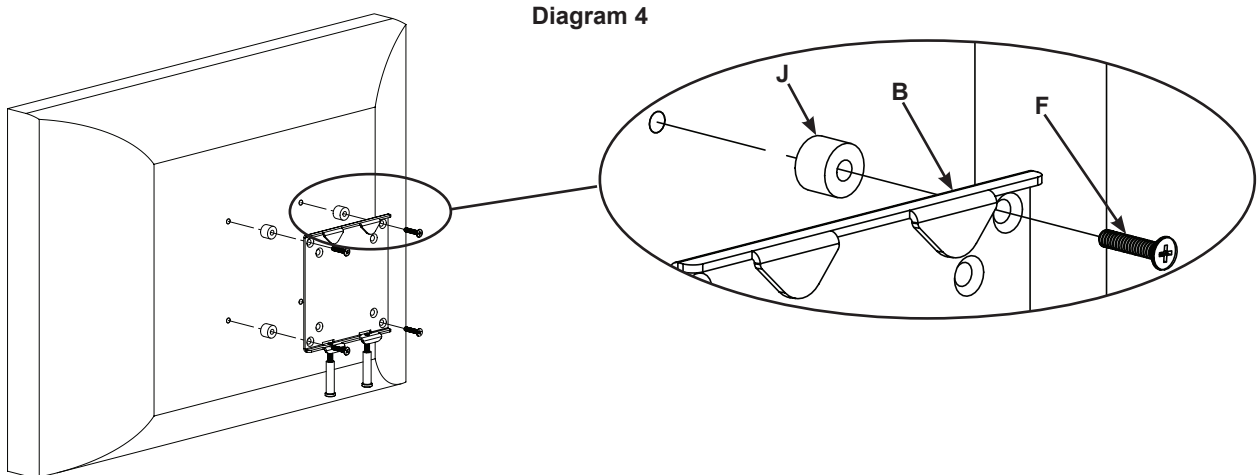
### Step 3: Attach Monitor Bracket to flat back TV

To attach the Monitor Bracket (**B**) to the TV, insert a M4 x 10 mm Bolt (**E**) through the countersunk hole in the Monitor Bracket, and the M4 Washer (**I**); then, thread it into the TV. Repeat this until all four bolts are secured to the TV, as shown in Diagram 3. Tighten each M4 x 10 mm Bolt with a phillips screw driver.



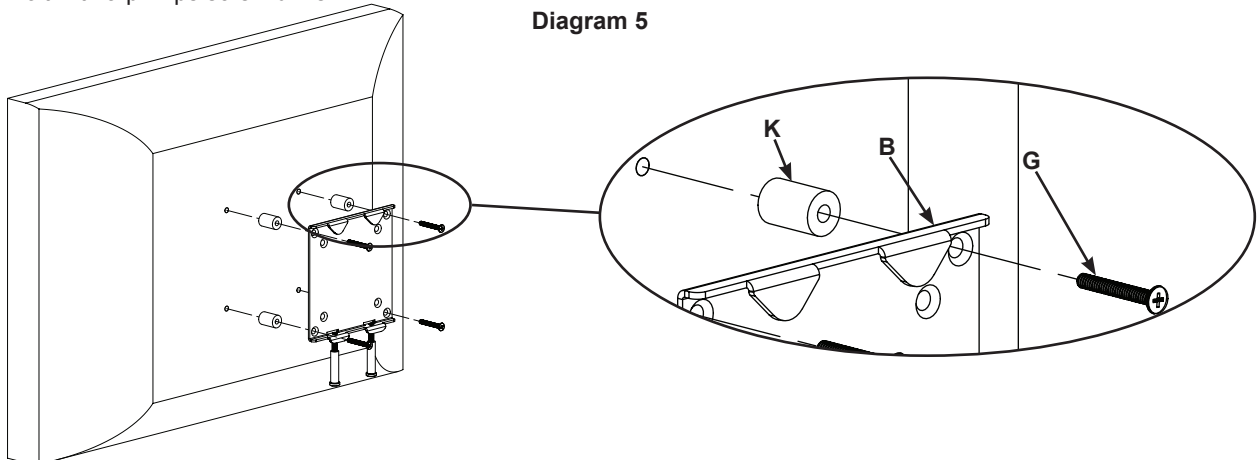
### Step 4: Attach Monitor Bracket to a TV with a recessed hole pattern

To attach the Monitor Bracket (**B**) to the TV, insert a M4 x 20 mm Bolt (**F**) through the countersunk hole in the Monitor Bracket, and the Small M4 Spacer (**J**); then, thread it into the TV. Repeat this until all four bolts are secured to the TV as shown in Diagram 4. Tighten each M4 x 20 mm Bolt with a phillips screw driver.



### Step 5: Attach Monitor Bracket to a TV with a deeply recessed hole pattern

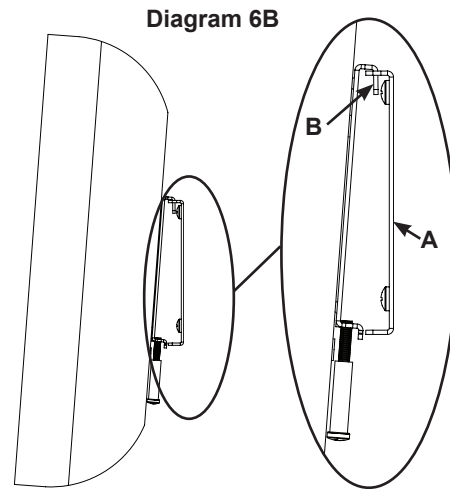
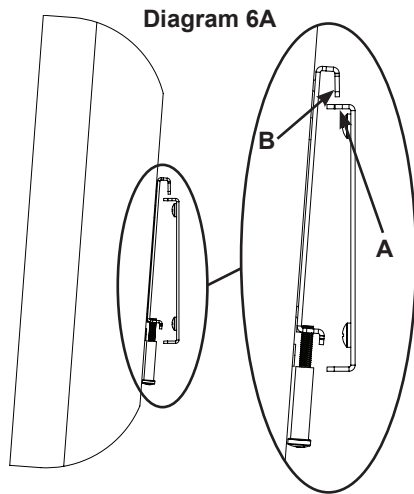
To attach the Monitor Bracket (**B**) to the TV, insert a M4 x 30 mm Bolt (**G**) through the countersunk hole in the Monitor Bracket, and the Large M4 Spacer (**K**); then, thread it into the TV. Repeat this until all four bolts are secured to the TV as shown in Diagram 5. Tighten each M4 x 30 mm Bolt with a phillips screw driver.



### Step 6: Attach Monitor Bracket to Wall Plate

Lift the TV so the two hooks on the Monitor Bracket (**B**) align with the slots on the top of the Wall Plate (**A**) as shown in Diagram 6A.

Lower the TV so that the hooks on the top of the Monitor Bracket (**B**) drop into the slots on the Wall Plate (**A**) but the hooks on the bottom are not engaged as shown in Diagram 6B.



---

### Step 7: Cable hook up and lock Monitor Bracket to Wall Plate

To allow for greater space between the wall and your display to install cables, allow the display to hang from the two top hooks on the Monitor Bracket (**B**) with the bottom tabs free to move as shown in Diagram 7A.

Once all cables are installed, lift the TV just enough to engage the two lower hooks on the Monitor Bracket (**B**) with the slots in the Wall Plate (**A**) as shown in detail 7B

Tighten both M5 Locking Bolts (**H**) to secure the Monitor Bracket (**B**) to the Wall Plate (**A**).

