

# SANUS SYSTEMS

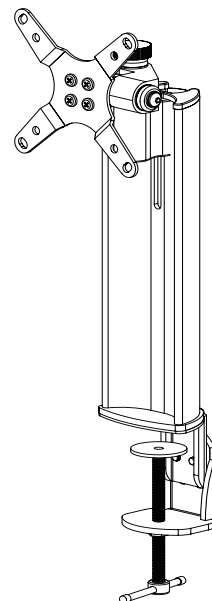
THE UNION OF FORM AND FUNCTION

## Assembly Instructions for Model: SD103

Thank you for choosing a Sanus Systems desk mount. The SD103 is designed to mount LCD flat panels with a VESA (Video Electronics Standards Association) hole pattern of 75 mm x 75 mm or 100 mm x 100 mm. It allows you to effortlessly tilt the monitor up to 15° vertically, 28° horizontally to the right, and 75° horizontally to the left.

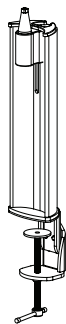
**▲ CAUTION:** The weight of the monitor must not exceed 20 lbs (9 kg). Improper installation may cause property damage or personal injury. Do not use this product for any purpose that is not explicitly specified by Sanus Systems.

If you do not understand these directions, or have any doubts about the safety of the installation, please contact Sanus at 800.359.5520 or [www.sanus.com](http://www.sanus.com). Our customer service representatives can quickly assist you with installation questions, and missing or damaged parts. Replacement parts for products purchased through authorized dealers will be shipped directly to you. Check carefully to make sure that there are no missing or defective parts. Sanus Systems can not be liable for damage or injury caused by incorrect mounting, incorrect assembly, or incorrect use. Please call Sanus Systems before returning products to the point of purchase.

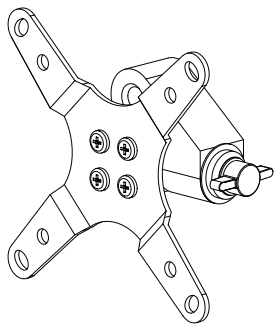


### Supplied Parts and Hardware

**NOTE:** Threaded fasteners and washers are shown actual size.



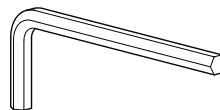
Pillar – A  
Qty: 1



Monitor Mount – B  
Qty: 1



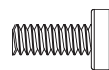
Cable Cover – C  
Qty: 1



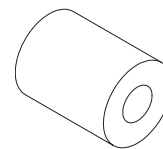
Allen Key – D  
Qty: 1



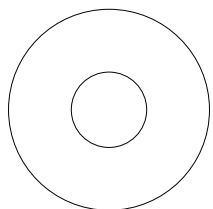
M4 x 30 Screw – F  
Qty: 4



M4 x 10 Screw – E  
Qty: 4



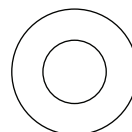
Spacer – G  
Qty: 4



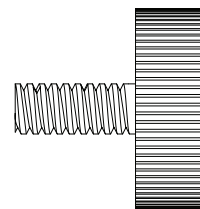
Large Washer – H  
Qty: 1



Small Cap – I  
Qty: 1



Small Washer – J  
Qty: 1



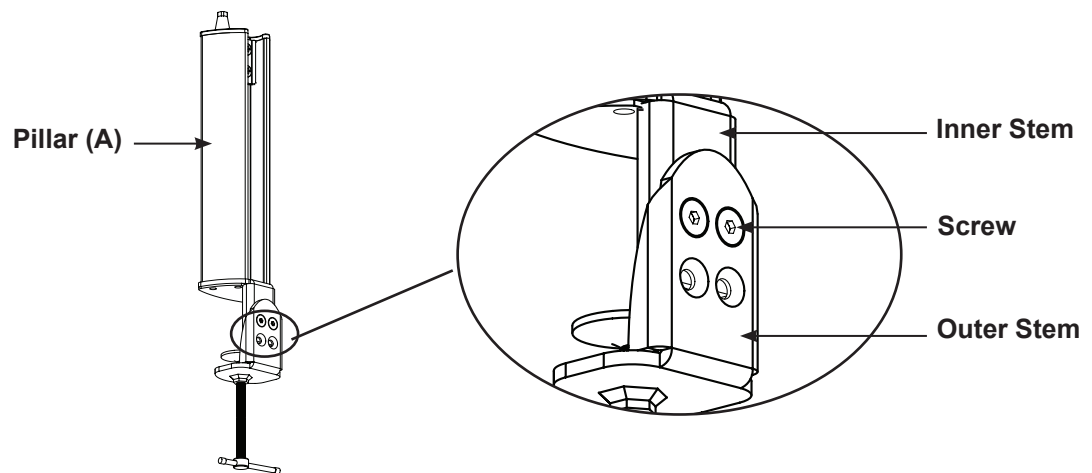
Round Knob – K  
Qty: 1

## Step 1: Adjust the Pillar Clamp Height for Thicker Desk Surfaces (optional)

**▲ CAUTION:** Do not adjust the height of the Pillar with a monitor attached. Sanus Systems is not responsible for property damage and/or personal injury.

If you have a thick desk surface, you may need to adjust the Pillar clamp height. Loosen and remove the two screws on the Pillar stem (A) with the Allen Key (D), as shown in Figure 1. Slide the two pieces of the stem apart until the upper holes on the outside stem align with the holes on the inner stem. Place the screws through the holes and tighten them with the Allen Key.

Figure 1



## Step 2: Attach the Pillar to the Desk.

To attach the Pillar (A) to the edge of the desk as shown in Figure 2a, place the Pillar in the desired location. Check that the pad is resting flat on the finished surface of the desk. Secure the pillar by tightening the clamp until the base rests firmly against the bottom of the desk.

To attach the Pillar through a wire management hole as shown in Figure 2b, you must first separate the inner and outer stems on the Pillar. Loosen and remove the two screws on the stem with the Allen Key (D) as shown in Figure 1 above, and slide the stems apart. Place the Pillar through the wire management hole, resting the pad flat on the finished surface of the desk. Reattach the outer stem with the two screws and the Allen Key. Then secure the pillar by tightening the clamp until the base rests firmly against the bottom of the desk.

Figure 2a

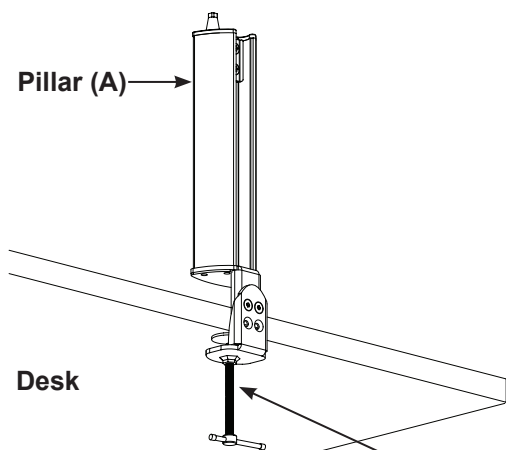
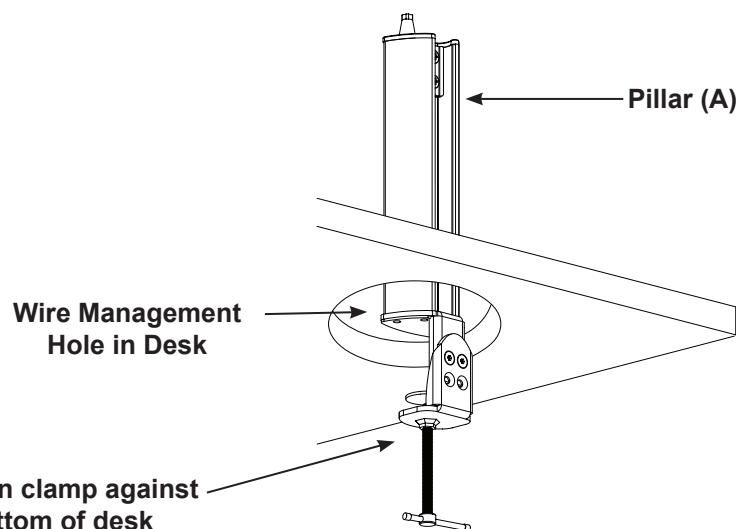


Figure 2b

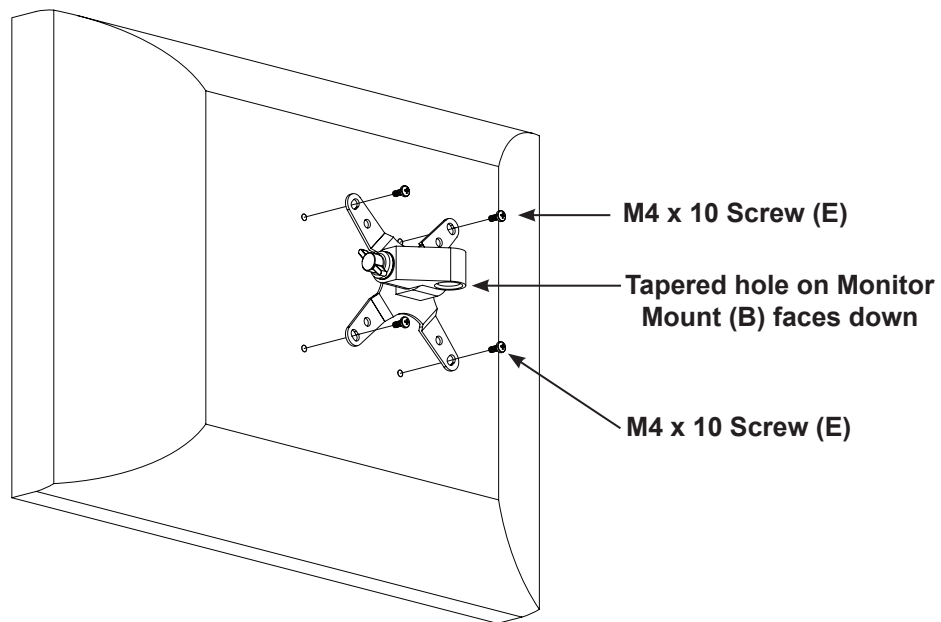


### Step 3: Attach the Monitor Mount to a Monitor with a Flat Back

**NOTE:** For monitors with curved backs or obstructions, go to Step 4.

Attach the Monitor Mount (B) to the back of your LCD monitor using the M4 x 10 mm Screws (E), as shown in Figure 3. Position the Monitor Mount so that the large side of the tapered hole faces the bottom of the monitor. Place the four screws through the Monitor Mount into the VESA bolt mounting pattern on the back of the monitor. Tighten the screws into the monitor. **Go to Step 5.**

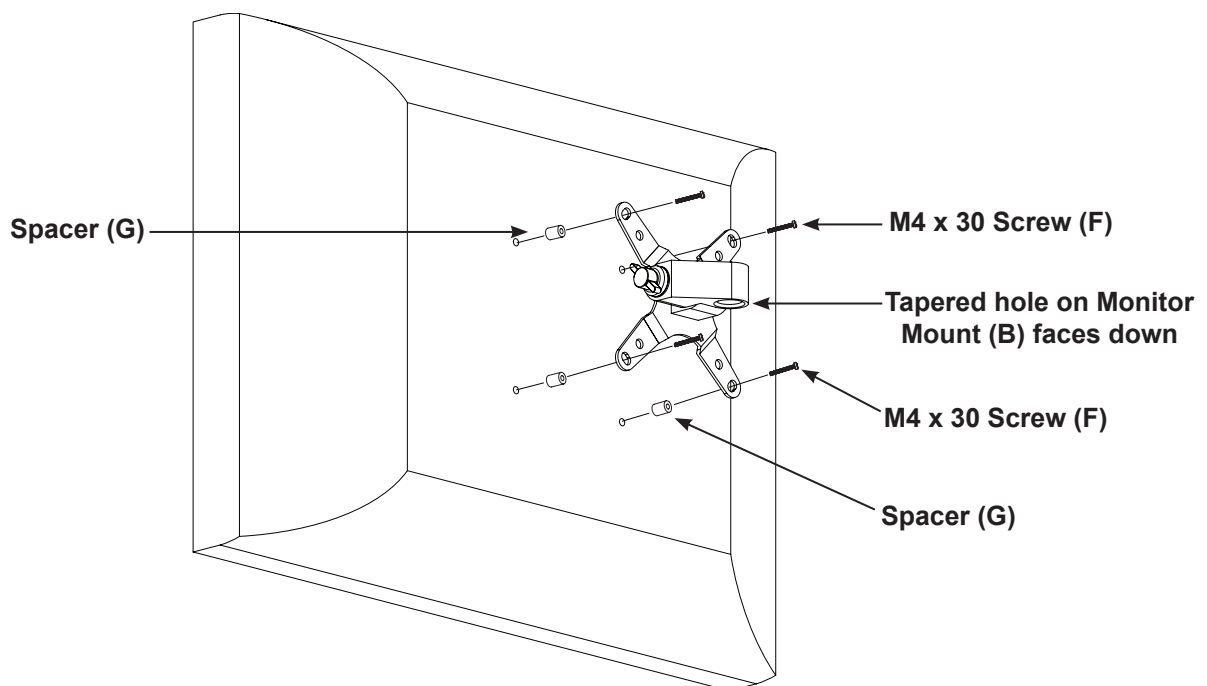
Figure 3



### Step 4: Attach the Monitor Mount to a Monitor with a Curved Back or Obstructions

Attach the Monitor Mount (B) to the back of your LCD monitor using the M4 x 30 mm Screws (F) and the Spacers (G), as shown in Figure 4. Position the Monitor Mount so that the large side of the tapered hole faces the bottom of the monitor. Place the four screws through the Monitor Mount and the spacers, and then into the VESA bolt mounting pattern on the back of the monitor. Tighten the bolts to the monitor.

Figure 4



## Step 5: Attach the Monitor Mount and Monitor to the Pillar

Set the tapered hole in the Monitor Mount (B) down over the cone-shaped bushing on the Pillar (A). Make certain the Monitor Mount is completely seated onto the Pillar. Add the Large Washer (H) and the Small Cap (I), turning the Small Cap until its square cut fits over the square top of the bushing. Finally, place the Round Knob (K) through the Small Washer (J) and into the Small Cap. See Figures 5a and 5b for reference. You can now set the desired level of tension for the knob.

**NOTE:** So that all the parts can be seen clearly, the monitor is not shown in Figure 5b.

Figure 5a

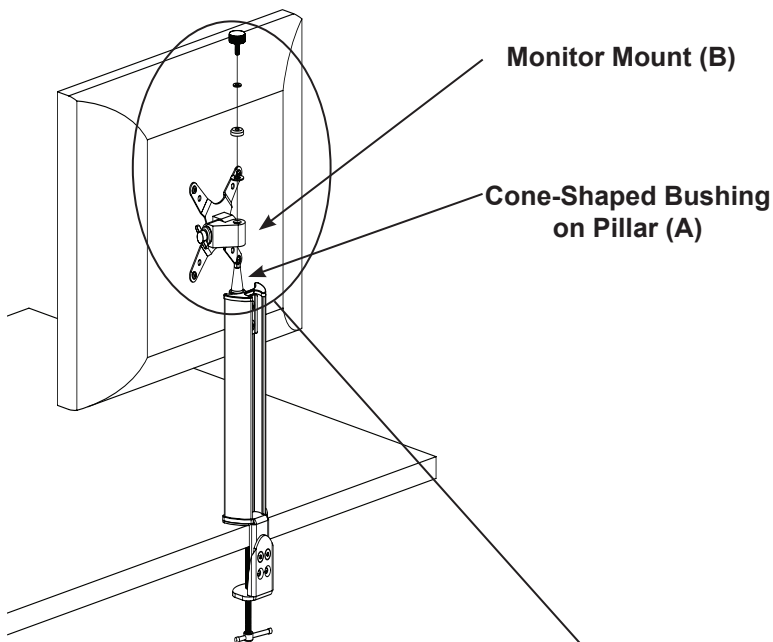
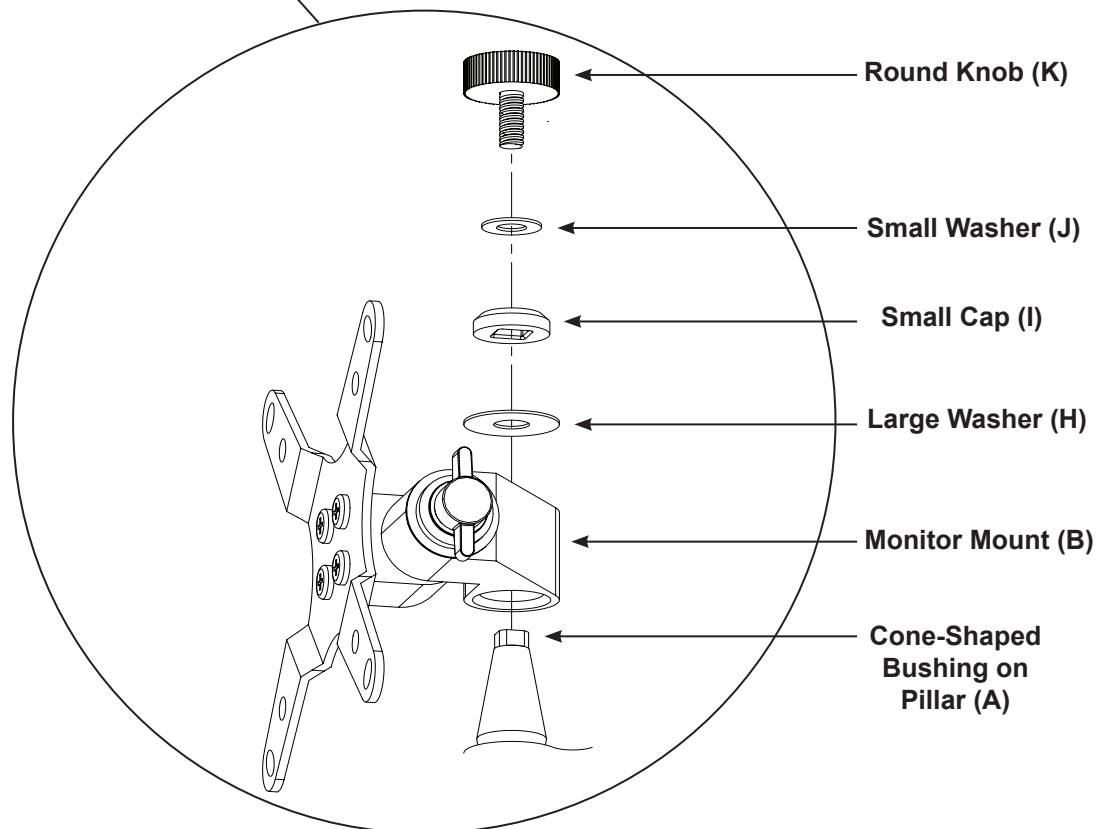
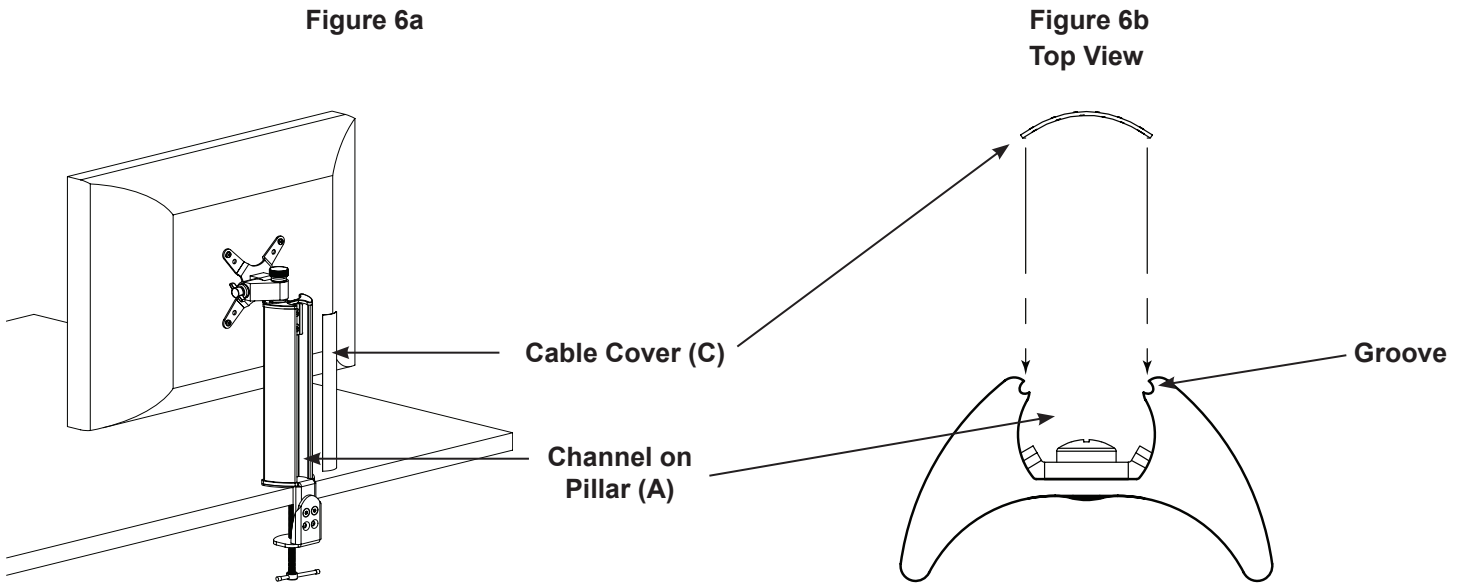


Figure 5b



## Step 6: Cable Management

Place the monitor cables into the channel on the back of the pillar (A). Snap the cable cover (C) into the grooves along the edge of the channel, as shown in Figures 6a and 6b.



## Step 7: Adjust Pillar Height (Optional)

**Required Tool:** Phillips screwdriver

**⚠ CAUTION:** Do not adjust the Pillar height if a monitor is attached. Sanus Systems is not responsible for property damage and/or personal injury.

Remove the Cable Cover (C) from the Pillar (A), and lift the monitor cables out of the channel on the Pillar. See Step 6 for additional information. Remove the Monitor Mount (B) and the attached monitor from the Pillar. See Step 5 for additional details about how the Monitor Mount and Pillar fit together.

Loosen the two screws at the top of the Pillar with a Phillips screwdriver. See Figure 7. Slide the bushing on the Pillar to the desired height, and tighten the screws with the screwdriver. Replace the Monitor Mount with attached monitor as described in Step 5. Replace the monitor cables and Cable Cover as described in Step 6.

Figure 7

