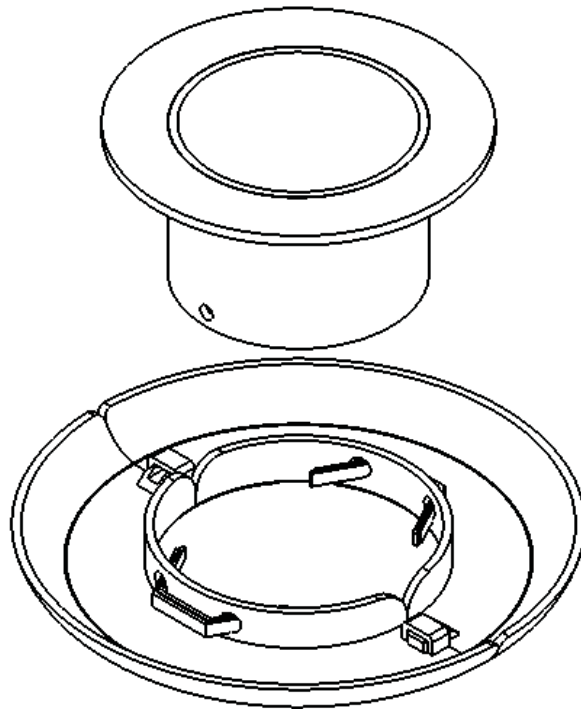


WMP

VIDEO MOUNT PRODUCTS

Instruction Sheet For:

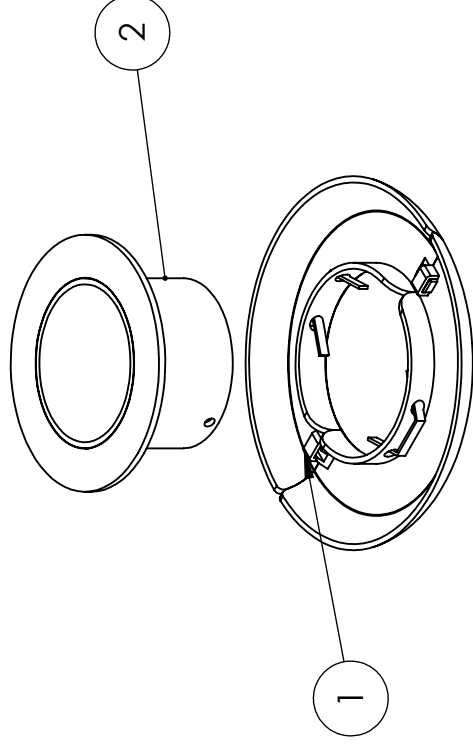
SCFR-1



For more information, please contact us at:
345 Log Canoe Circle, Stevensville, Maryland 21666
Toll Free: 877.281.2169 Phone: 410.643.6390 Fax: 410.643.6615
www.videomount.com

| ITEM NO. | DESCRIPTION | QTY. |
|----------|-------------------------|------|
| 1 | Escutcheon Ring | 1 |
| 2 | Escutcheon Ring Adaptor | 1 |

SCFR-1



Step 1

Before starting, lay out all parts to your mount and match them to the parts list provided. Verify that you have all your parts before attempting to assemble the mount.

Step 2

Determine what ceiling mount you are using. If you are using a PDM-C, LCD-MID-C, PM-LP ceiling mast or 1.5" NPT pipe proceed to step 3. If you are using a LCD-1C, LCD-2537C, LCD-PV, PV-1, VMP-014/024, VMP-036/038, VMP-042/044, VMP-046/048, PM-1, PM-2, PM-3 ceiling mast or 1" NPT pipe proceed to step 5.

If you are using a PDM-C, LCD-MID-C, PM-LP ceiling mast or 1.5" NPT pipe:

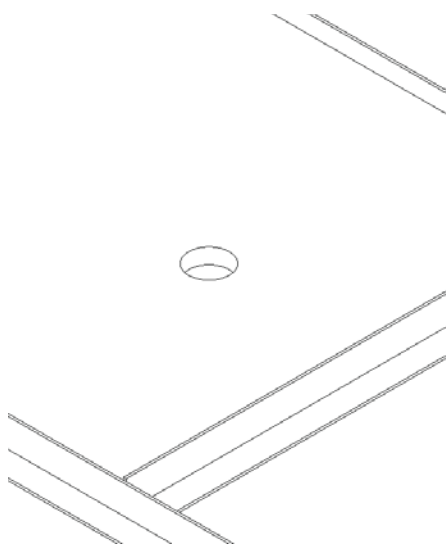
Step 3

Cut a hole for the ceiling mast/pipe to pass through in the ceiling tile. The easiest way to do this is to take the mast/pipe and trace around the outside of it on the topside of the ceiling tile. Then proceed to cut out the ceiling tile within the line.

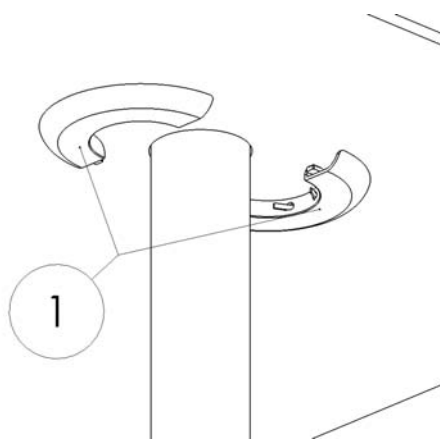
Step 4

Slide the ceiling mast/pipe through the hole cut into the ceiling tile. Once you have done this take both halves of the escutcheon ring (1) and snap them on to the ceiling mast/pipe flush to the ceiling.

Enjoy Your Mount!

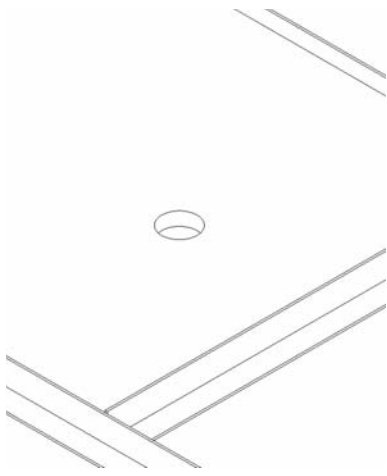


Step 3: Cutting a hole in the ceiling tile



Step 4: Attaching the escutcheon ring

VMP
VIDEO MOUNT PRODUCTS



Step 5: Cutting a hole in the ceiling tile

If you are using a LCD-1C, LCD-2537C, LCD-PV, PV-1, VMP-014/024, VMP-036/038, VMP-042/044, VMP-046/048, PM-1, PM-2, PM-3 ceiling mast or 1" NPT pipe:

Step 5

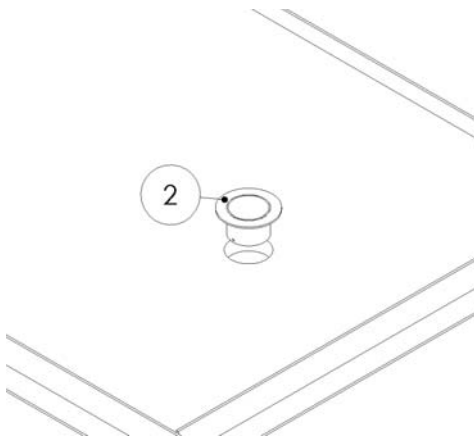
Cut a hole for the escutcheon ring adaptor (2). The easiest way to do this is to take the adaptor (2) and trace around the outside of the smaller end of the adaptor on the topside of the ceiling tile. Then proceed to cut out the ceiling tile within the line.

Step 6

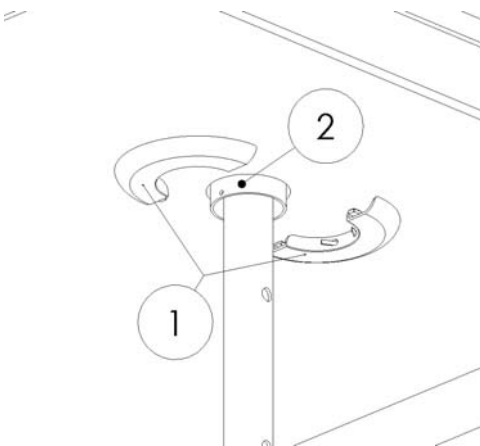
Insert the escutcheon ring adaptor (2) into the ceiling tile making sure the flange rest flush on the top of the ceiling tile.

Step 7

Slide the ceiling mast/pipe through the escutcheon ring adaptor (2). Attach both halves of the escutcheon ring (1) to the escutcheon ring adaptor (2).



Step 6: Inserting the adaptor



Step 7: Attaching the escutcheon ring



Enjoy Your Mount!

WARNING: The installer of these products must verify that the mounting surface, ceiling or wall, will safely support the combined weight of all attached equipment and hardware. Video Mount Products will not be held liable for the improper use or installation of its products.