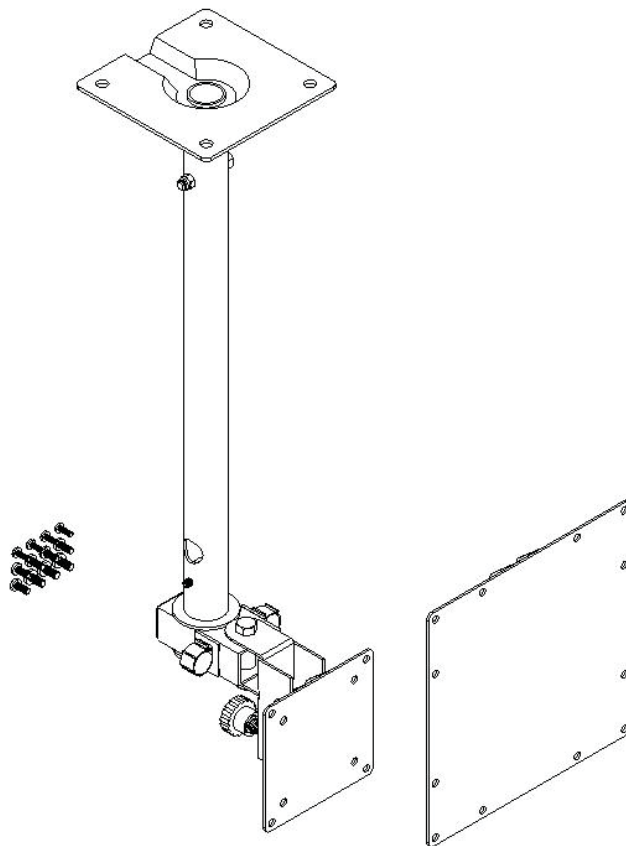


WMP

VIDEO MOUNT PRODUCTS

Instruction Sheet For:

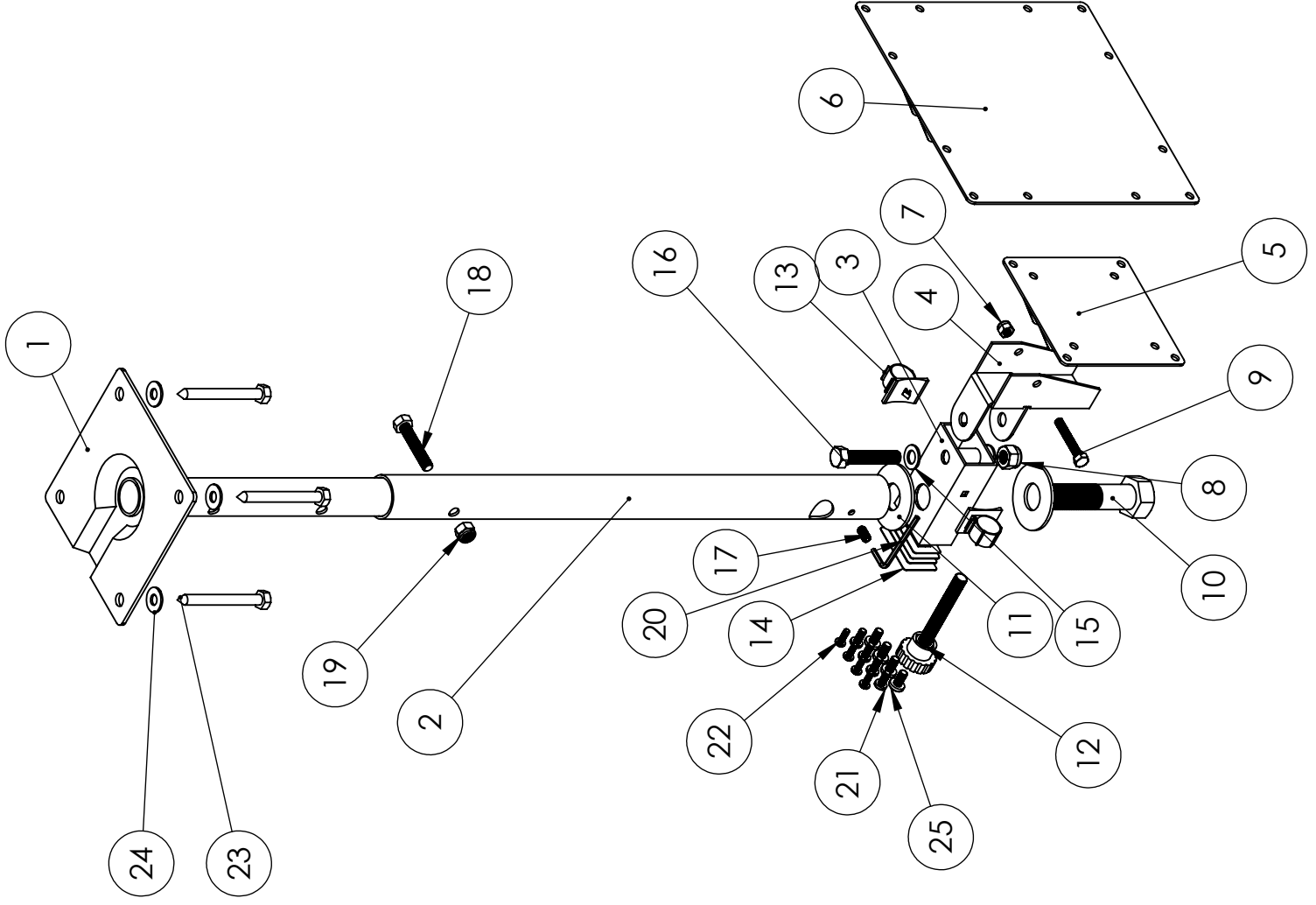
LCD-2537C & LCD-2537CB

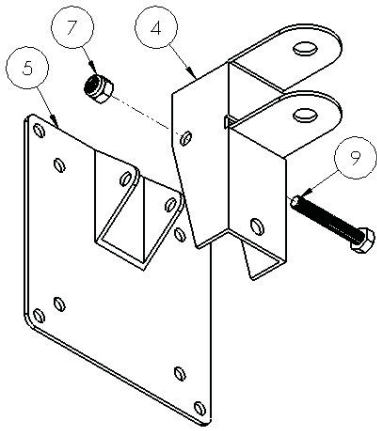


For more information, please contact us at:
345 Log Canoe Circle, Stevensville, Maryland 21666
Toll Free: 877.281.2169 Phone: 410.643.6390 Fax: 410.643.6615
www.videomount.com

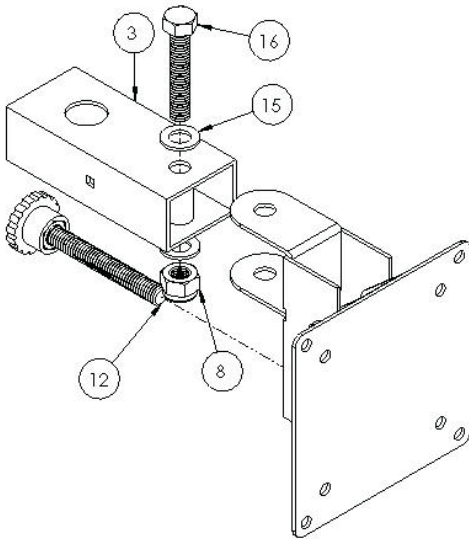
LCD-2537C

ITEM NO.	DESCRIPTION	QTY.
1	Ceiling Plate	1
2	Extension Tube	1
3	Support Tube	1
4	Pivot Bracket	1
5	Small Mounting Plate	1
6	Large Mounting Plate	1
7	Nylon Nut M6*P1.0	1
8	Nylon Nut 3/8"-16UNC	1
9	Screw M6*P1.0*L40	1
10	Screw 3/4"-16UNF*L3"	1
11	Washer 3/4"* ϕ 44	2
12	Adjustable Screw 3/8"-16UNC*L68mm	1
13	Cable Clips	2
14	End Plug	1
15	Washer ϕ 3/8"* ϕ 19*T1.6	2
16	Screw 3/8" - 16UNC*L2"	1
17	Brake Screw 1/4" - 20UNC*L1/2"	1
18	Screw 5/16" - 18UNC*L1-3/4"	1
19	Nylon Nut 5/16" - 18UNC	1
20	M3 Allen Key	1
21	Screw M5*P0.8*L12	4
22	Screw M4*P0.7*L12	4
23	Lag Screw 5/16"*L2.5"	4
24	Washer ϕ 8.3"* ϕ 19*T1.6	4
25	Screw M6*P1.0*L12	4

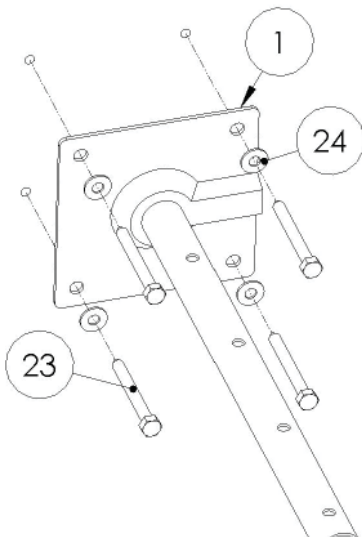




Step 2: Attaching the mounting plate to the swivel bracket (small mounting plate (#5) shown)



Step 3: Attaching the swivel bracket to the support tube



Step 4: Attaching ceiling plate to ceiling

Step 1

Before starting, lay out all parts to your mount and match them to the parts list provided. Verify that you have all your parts before attempting to assemble the mount.

Step 2

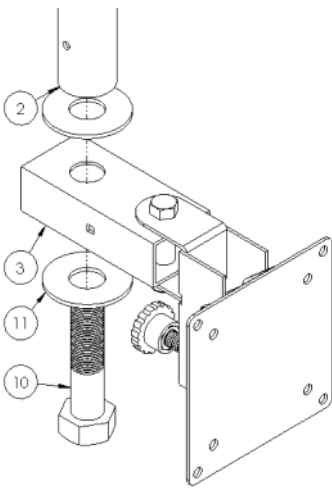
Determine which VESA standard plate you will be using (5) or (6) (75mm/100mm or 200mm/100mmx200mm respectively) and attach the selected mounting plate (5) or (6) to the swivel bracket (4) using the M6 screw (9) and the nylon nut (7).

Step 3

Attach the swivel bracket (4) to the support tube (3) using the 3/8" screw (16), washers (15) and nylon nut (8). Insert adjustable screw (12) into the back of the swivel bracket (4) for use when tilting the monitor.

Step 4

Mark the ceiling or desired mounting surface in preparation of installation of ceiling plate (1). If mounting to wooden ceiling joists, pre drill pilot holes using a 7/32" drill bit. Attach the ceiling plate (1) to the wooden ceiling joist using the 5/16" by 2.5" long lag screw (23) and washer (24). **WARNING: Please verify that your mounting surface will support the combined weight of your mount, mounting hardware, and flat panel. Also verify that the mounting surface is safe to drill through. Please note only mounting hardware for mounting to wooden ceiling joists will be provided with the unit. If mounting to a surface other than wooden ceiling joists then other hardware will be required. If in doubt or uncertain about any of the above, please contact a professional installer.**



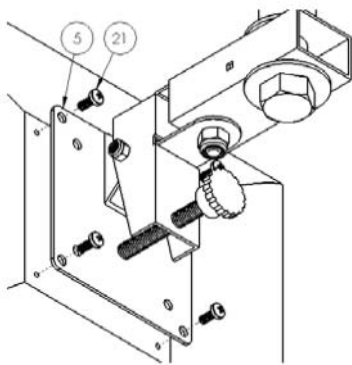
Step 5: Attaching the extension tube to the support tube

Step 5

Attach the support tube (3) to the extension tube (2) using the 3/4" screw (10) and washers (11).

Step 6

Attach the mounting plate assembly from step 2 to your LCD monitor using the M4 or M5 screws (21) or (22) as appropriate.



Step 6: Attaching the flat panel to the mounting plate

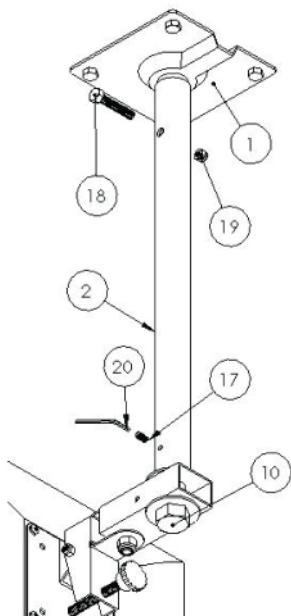
Step 7

Attach the extension tube (2) to the ceiling plate (1) using the 5/16" screw (18) and nylon nut (19). Secure the 3/4" screw (10) from slipping in the extension tube (2) by tightening the 1/4" brake screw (17) into the threaded hole in the side of the extension tube (2) using the Allen key (20).

Step 8

Insert end plugs (14) into the support tube (3). For cable management, insert the cable clips (13) by pushing the arrow ends into the square holes in the support tube (3).

Please verify that all nuts and screws are securely tightened.



Step 7: Attaching the extension tube to the ceiling plate



Enjoy Your Mount!

WARNING: The installer of these products must verify that the mounting surface, ceiling or wall, will safely support the combined weight of all attached equipment and hardware. Video Mount Products will not be held liable for the improper use or installation of its products.