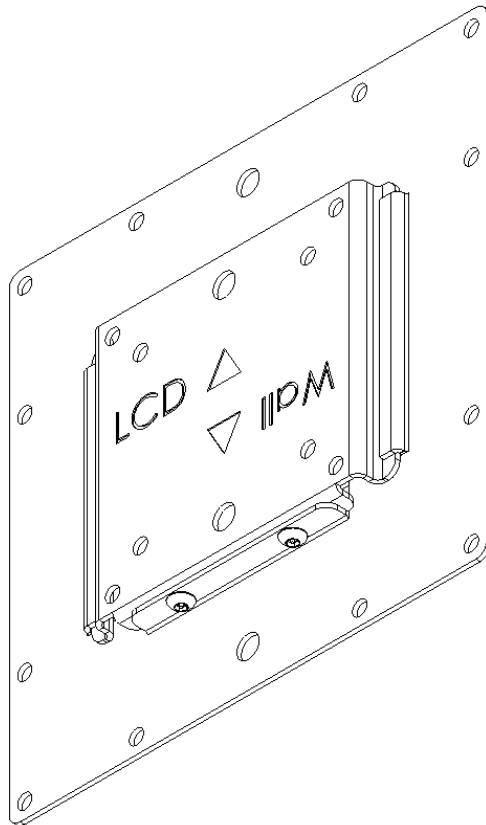


WMP

VIDEO MOUNT PRODUCTS

Instruction Sheet For:

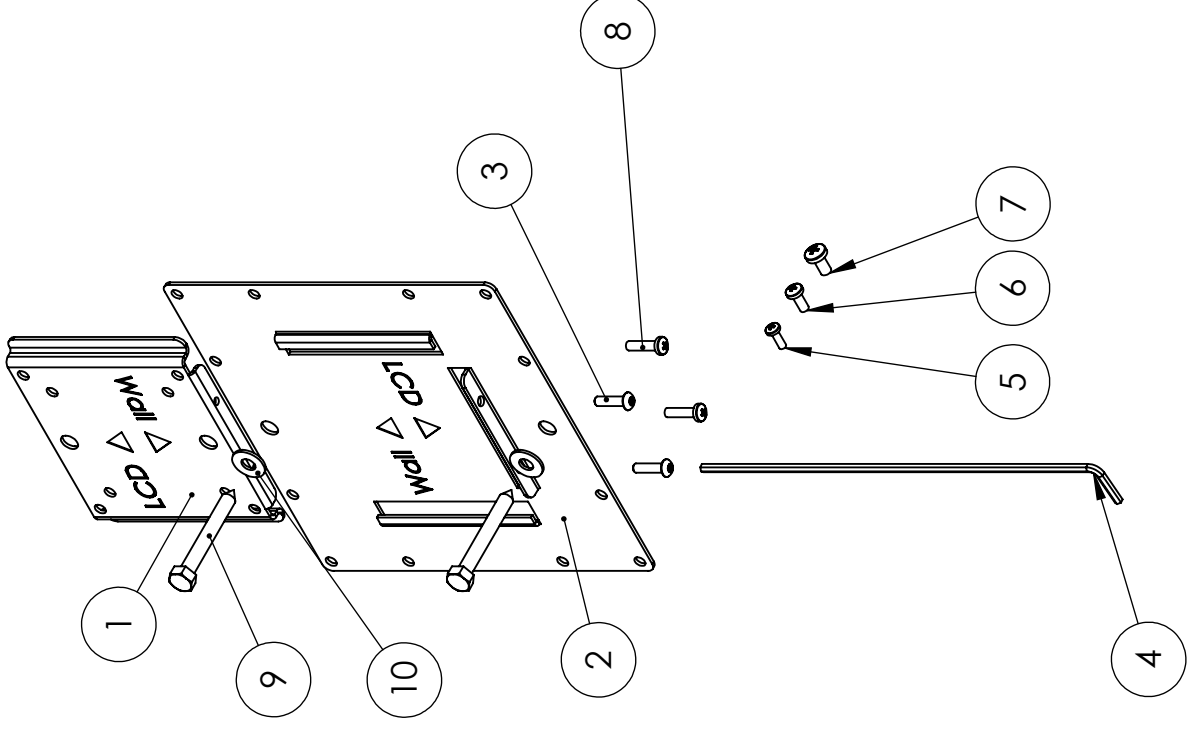
FP-SFB

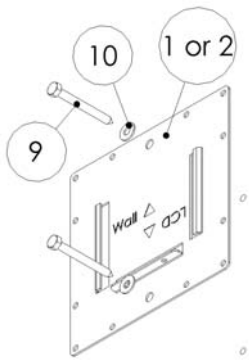


For more information, please contact us at:
345 Log Canoe Circle, Stevensville, Maryland 21666
Toll Free: 877.281.2169 Phone: 410.643.6390 Fax: 410.643.6615
www.videomount.com

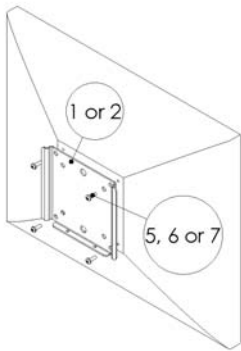
FP-SFB

ITEM NO.	DESCRIPTION	QTY.
1	Small Plate	1
2	Large Plate	1
3	Security Screw M5*P0.8*L20	2
4	Long Allen Key M4	1
5	Screw M4*P0.7*L12	4
6	Screw M5*P0.8*L12	4
7	Screw M6*P1.0*L12	4
8	Cross Screw M5*P0.8*L20	2
9	Lag Screw 5/16" L2.5"	2
10	Washer ϕ 8.3* ϕ 19*T1.6	2

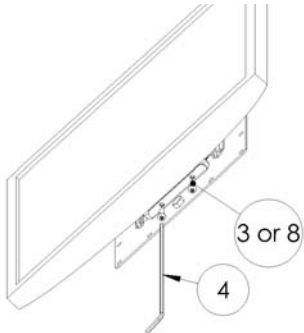




Step 3: Attaching one of the mounting plates to the wall



Step 4: Attaching your flat panel to a mounting plate



Step 5: Securing the flat panel mounting plate



Enjoy Your Mount!

Step 1

Before starting, lay out all parts to your mount and match them to the parts list provided. Verify that you have all your parts before attempting to assemble the mount.

Step 2

First determine the VESA pattern for your flat panel. If the holes on your TV are approximately 3 inches apart in a square pattern then your VESA standard is 75mm and you will be using the small plate. If the holes on your TV are approximately 4 inches apart in a square pattern then your VESA standard is 100mm and you will be using the small plate. If the holes on your TV are approximately 8 inches apart in a square pattern then your VESA standard is 200mm. If the holes on your TV are approximately 4 inches apart in one direction and 8 inches apart in the other direction then your VESA pattern is 100mmx200mm. If your flat panel has either a VESA 200mm or 100mmx200mm pattern then you will be using the large plate.

Step 3

Take the plate (1) or (2) which is not going to be attached to your flat panel. This is the plate you are going to mount to the wall. Mark the wall or desired mounting surface in preparation of installation. If mounting to wooden studs, pre drill pilot holes using a 7/32" drill bit. Attach the plate (1) or (2) to the wooden stud using the 5/16" by 2.5" long lag screw (10) and washer (9) making sure the orientation is correct by making sure the word wall stamped into the plate is right side up. **WARNING: Please verify that your mounting surface will support the combined weight of your mount, mounting hardware, and flat panel. Also verify that the mounting surface is safe to drill through. Please note only mounting hardware for mounting to wooden studs will be provided with the unit. If mounting to a surface other than wooden studs then other hardware will be required. If in doubt or uncertain about any of the above, please contact a professional installer.**

Step 4

Take the plate chosen earlier to mount to your flat panel (1) or (2) and proceed to mount it to the flat panel using the M4 (5), M5 (6) or M6 (7) screws as appropriate for your flat panel. Make sure the plate is oriented correctly by making sure the word LCD is right side up.

Step 5

Slide the flat panel mounted plate (1) or (2) onto the wall mounted (1) or (2). Use the security screws (3) and allen key (4) or Phillips head screws (8) to secure the two plates together.

Please verify that all nuts and screws are securely tightened.

WARNING: The installer of these products must verify that the mount surface, ceiling or wall, will safely support the combined weight of all attached equipment and hardware. Video Mount Products will not be held liable for the improper use or installation of its products.